

Sample Boards 2021

LAST UPDATED: 01-12-2021

DEMO

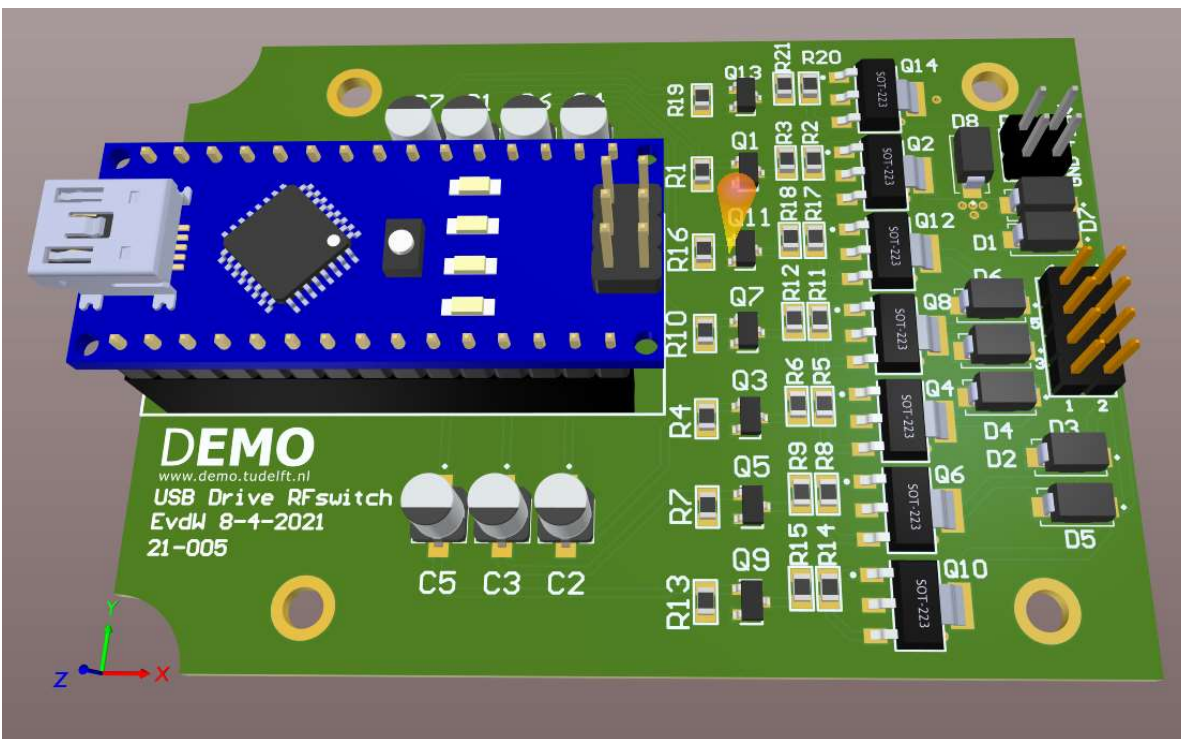
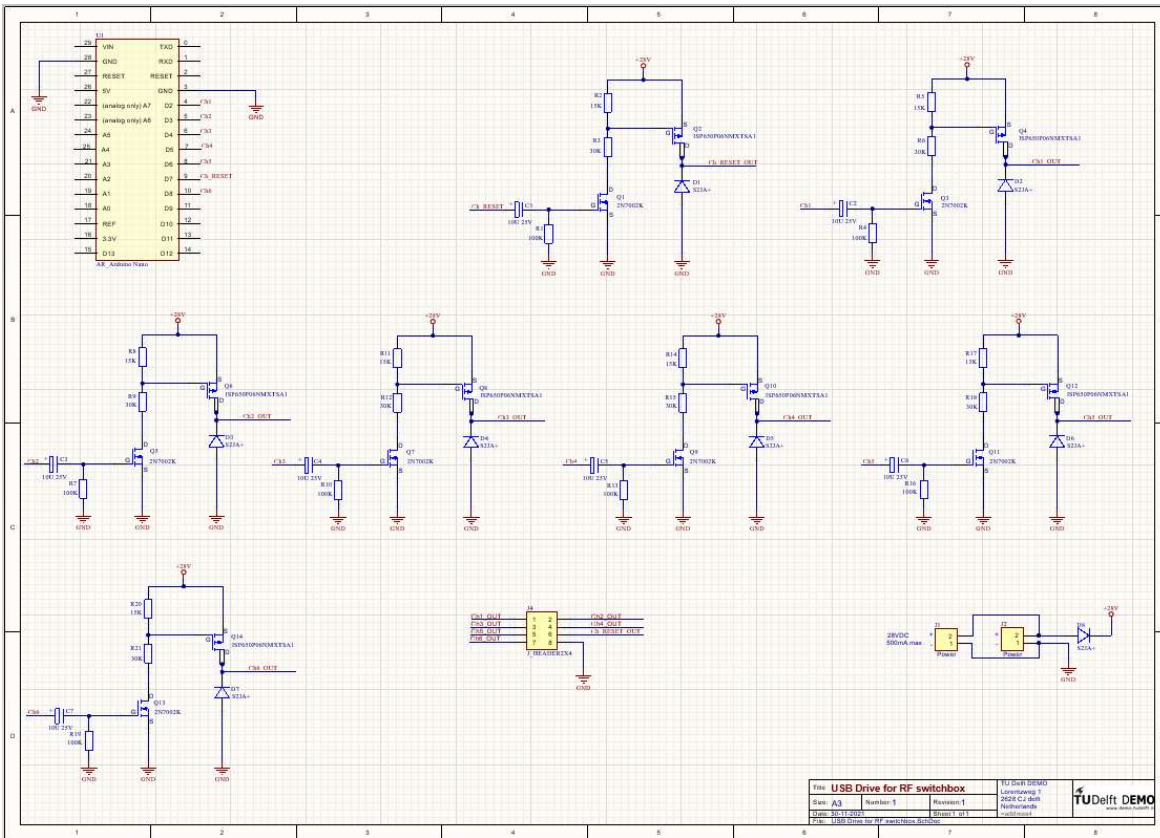


Sample Boards

21-005 USB Drive for RF switchbox Jasper Franse	3
21-006 FFC50 to FFC50 board Marcel Sergei.....	4
21-007 Filter Board Chien-An Wang	5
21-008 Sample Board Jasper Franse	6
21-009 2uD25 Female & Male to FFC50vertical Jason.....	7
21-010 Sample Board Andersen	8
21-011 Sample Board Gary Jacob	9
21-012 80-Channel Sample Board Tzu-kan	10
21-013 Filter Board Olaf Benningshof.....	11
21-014 Fisher to 3M MDR120 26polig Michael Borst	12
21-015 Filter Board Double RC Olaf.....	13
21-017 Sample Board Jean-Paul	14
21-018 4uD25 Female to 2xFFC50 Tzu-kan	15
21-019 2xArdent16 to 32 SMP Tzu-kan	16
21-020 Radiall Switch Controller 2 James Kroll.....	17
21-021 Ardent Sample Board Florian	18
21-026 2uD25 Female to FFC50vertical Jason.....	19
21-027 Filterboard Florian	20

21-005 USB Drive for RF switchbox

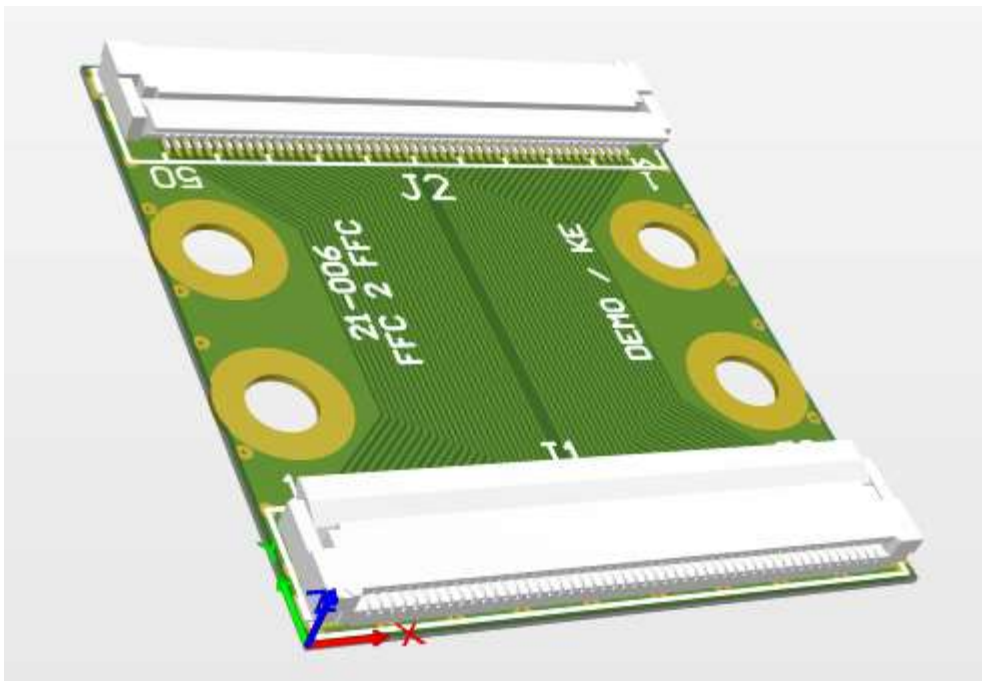
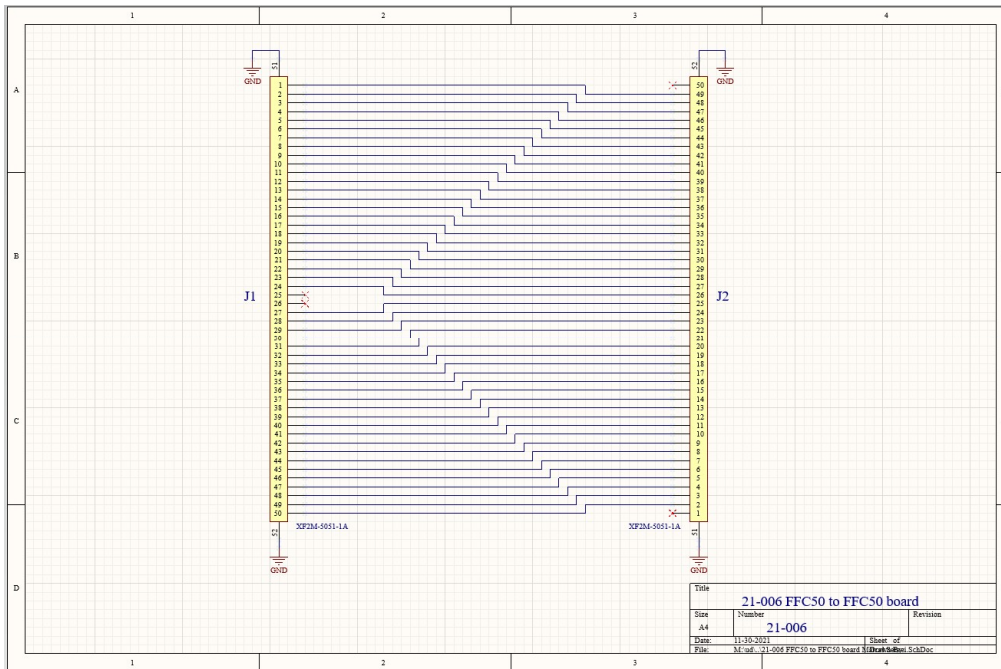
Jasper Franse



21-006 FFC50 to FFC50 board Marcel Sergei

Interface (adapter)

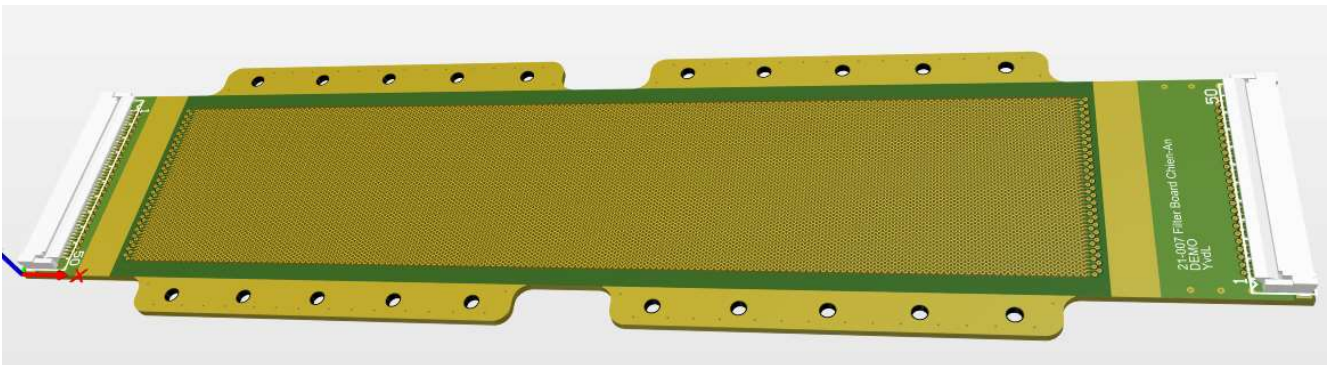
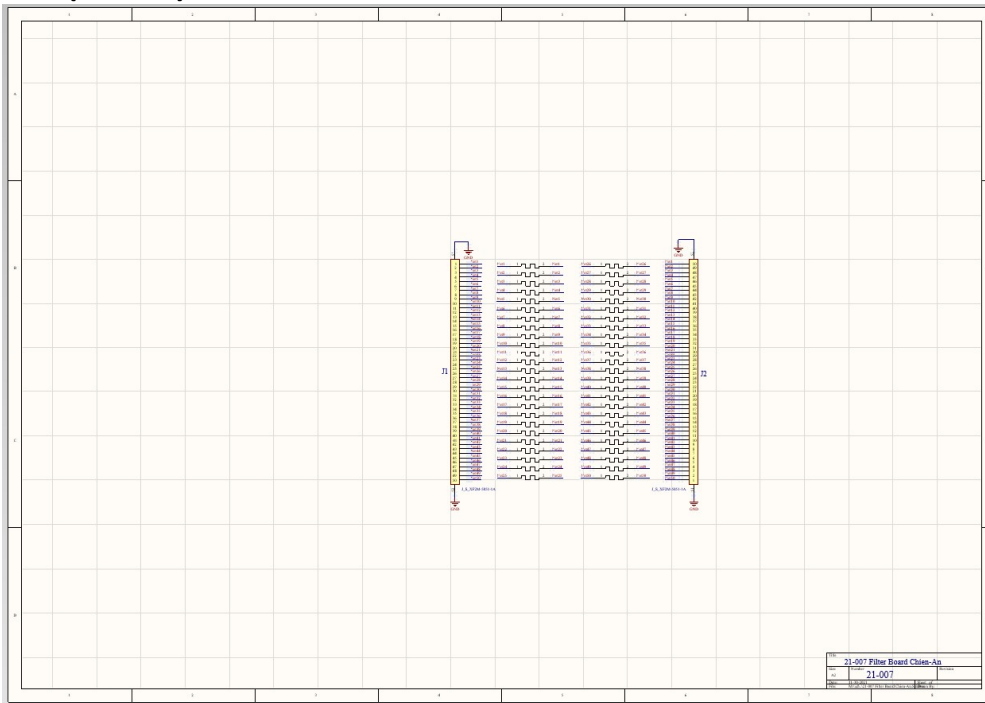
size (LxWxT): 29.5 x 33.0 x 3.0 mm



21-007 Filter Board Chien-An Wang

Copper Powder Filterboard

size (LxWxT): 155.0 x 40.0 x 3.0 mm

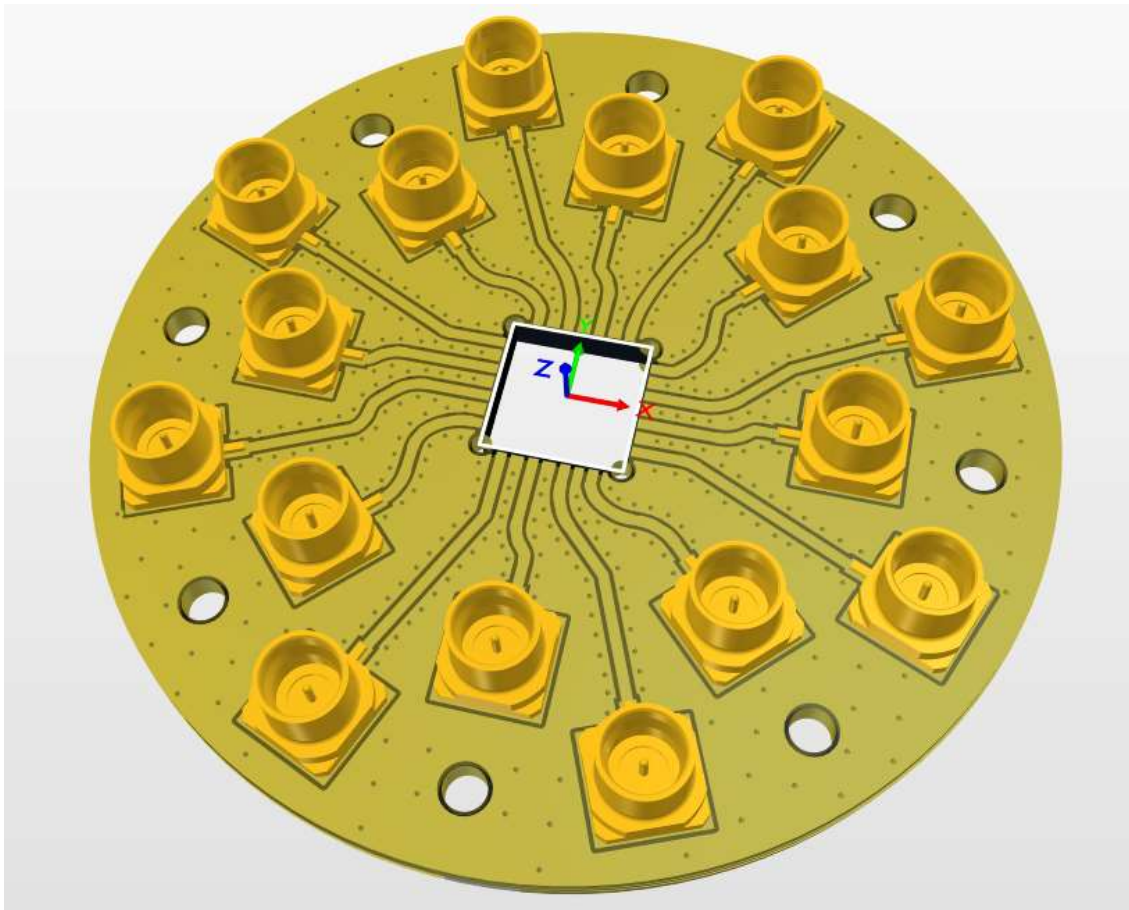
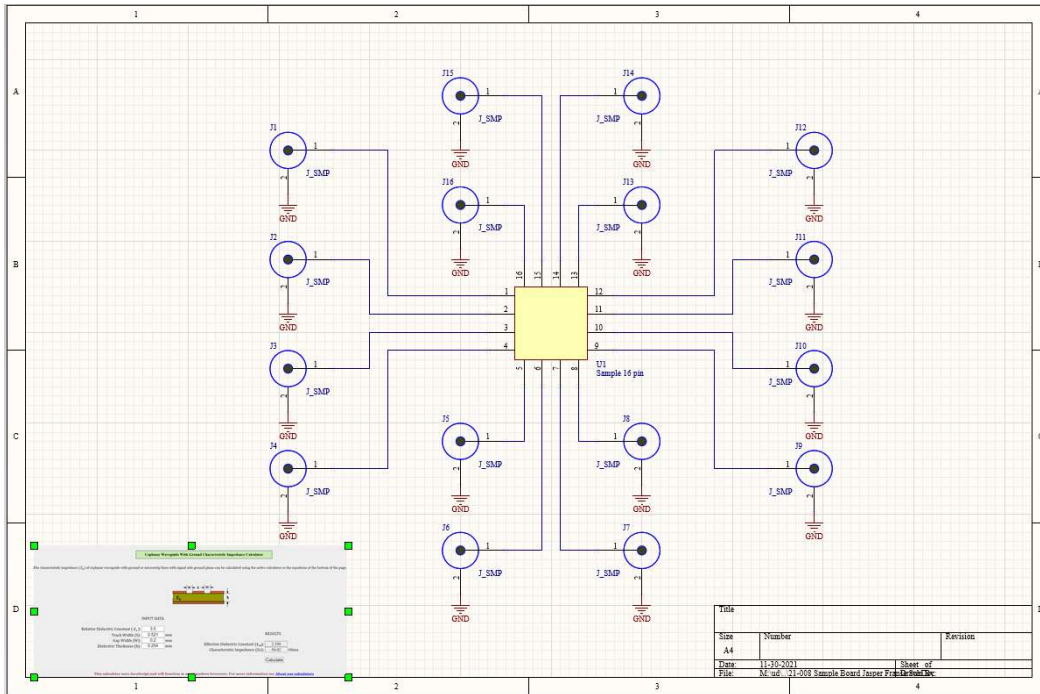


21-008 Sample Board Jasper Franse

RF Sample board

size (LxWxT): 48 x 48 x 1.55 + SMP mm

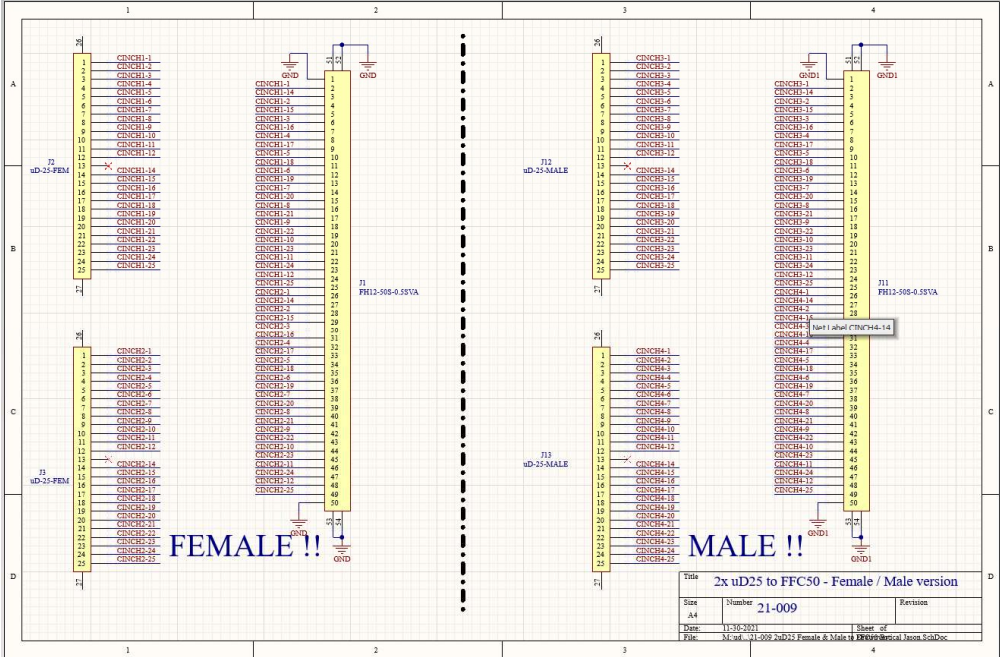
sample hole size: 7 x 7mm



21-009 2uD25 Female & Male to FFC50vertical Jason

Interface

size (LxWxT): 29 x 15 x 1.55 + connector height mm

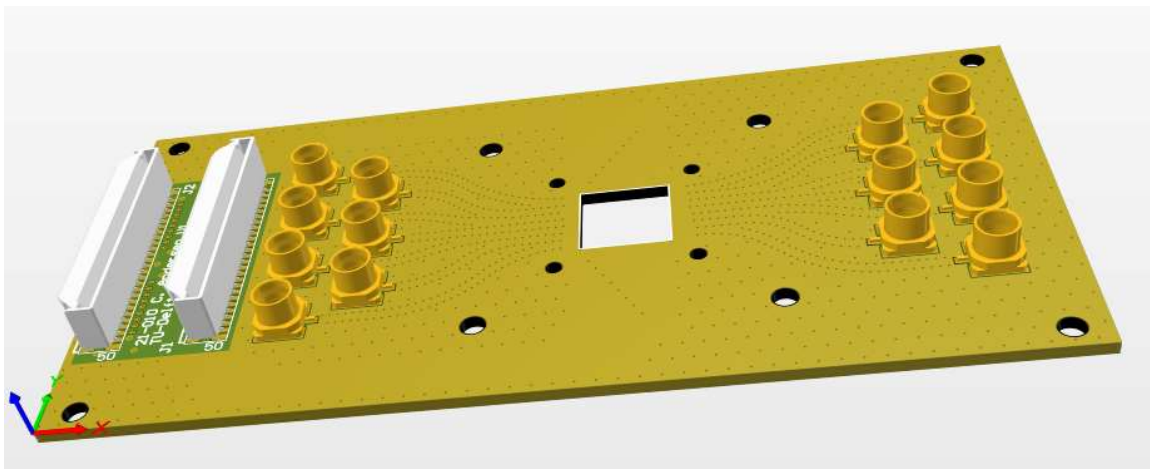
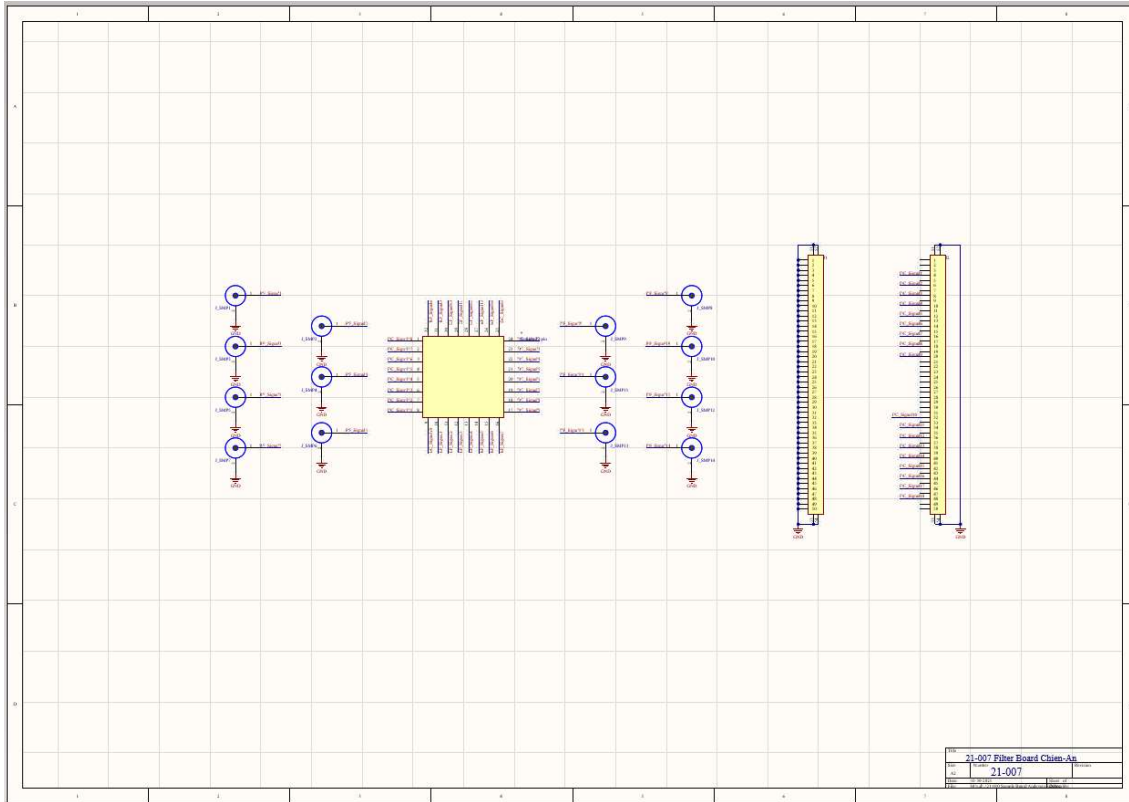


21-010 Sample Board Andersen

RF Sample Board

size (LxWxT): 100 x 50 x ? mm

sample hole: 9.2 x 9.2mm

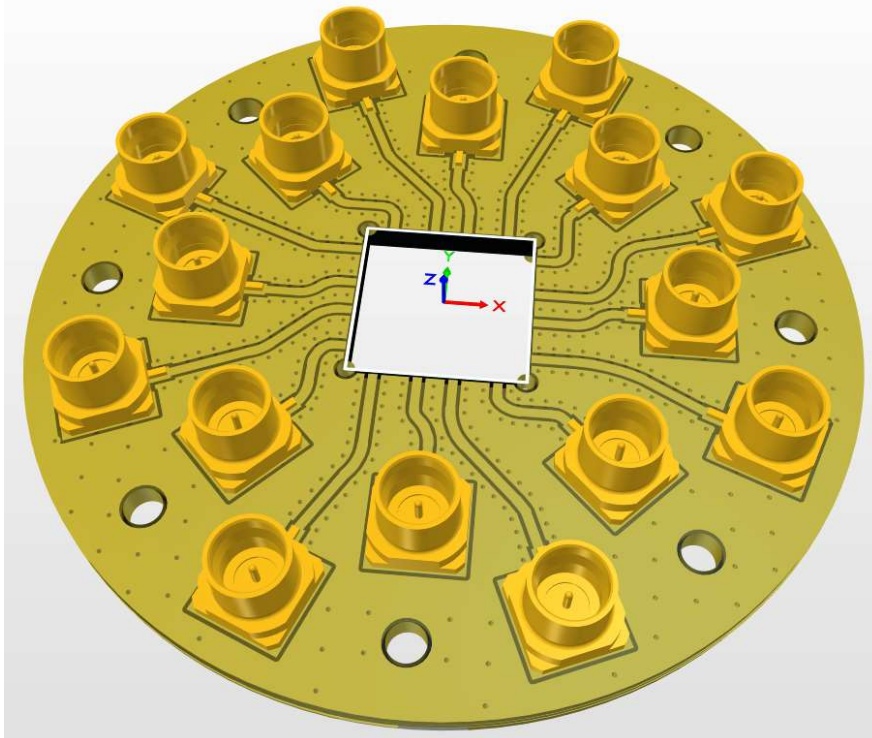
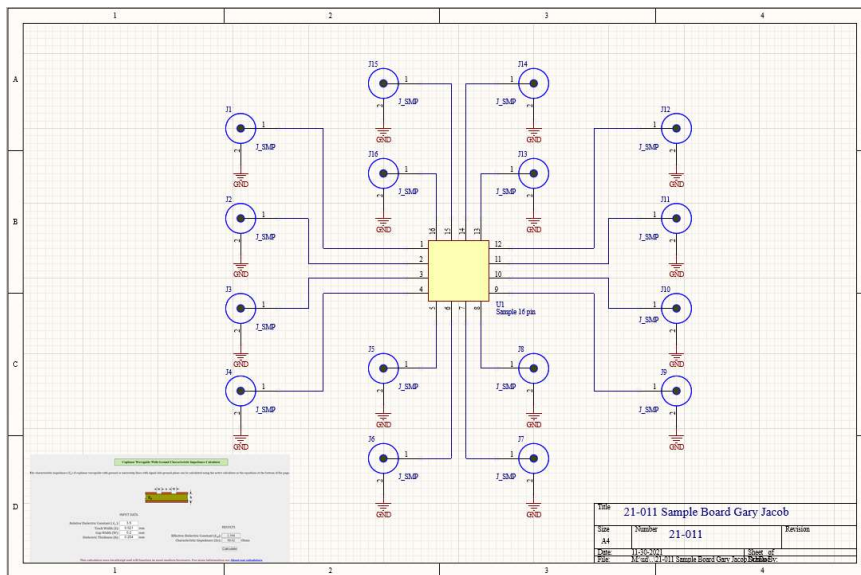


21-011 Sample Board Gary Jacob

RF Sample Board

size (LxWxT): 48 x 48 x ? mm

sample hole: 10.1 x 10.1mm



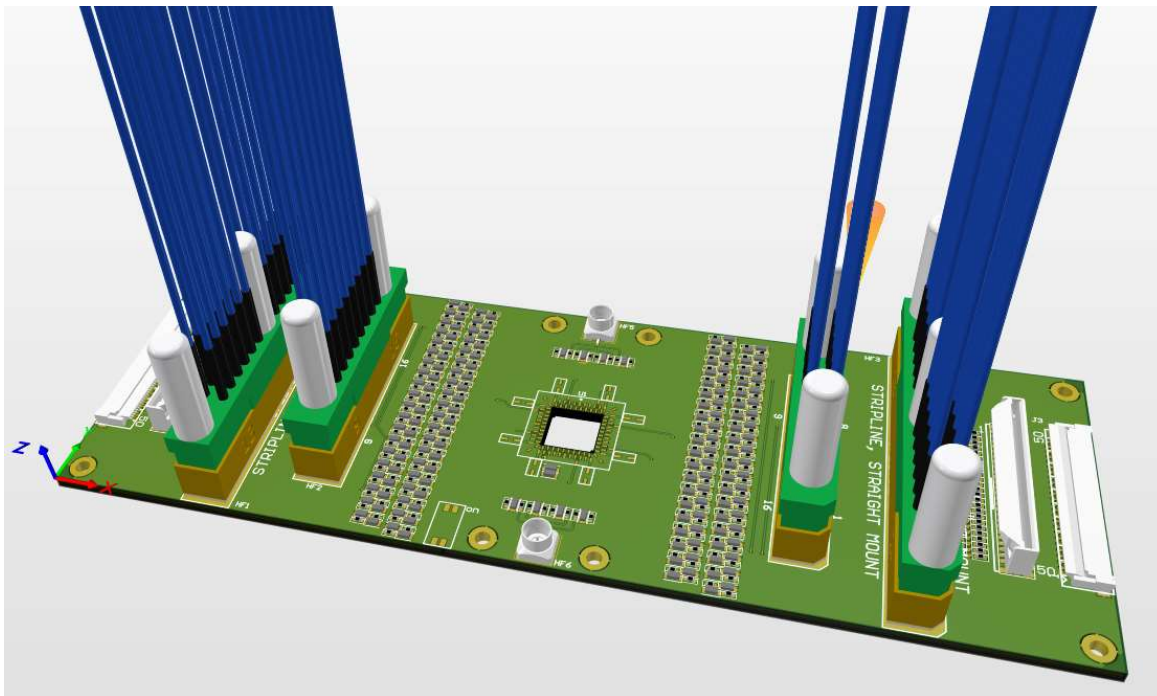
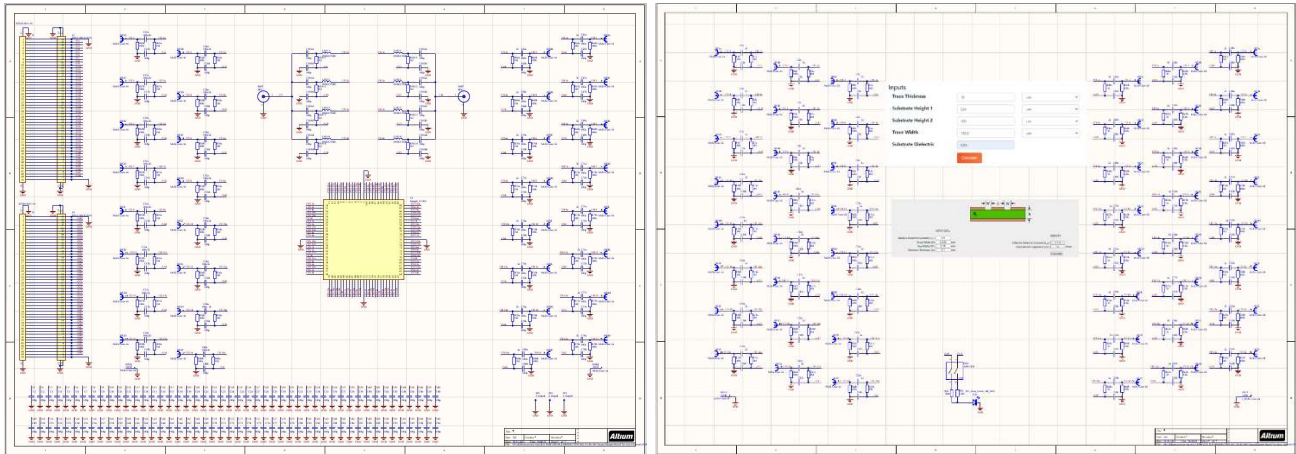
21-012 80-Channel Sample Board Tzu-kan (nog niet af)

Ardent based Sample Board

Nog niet afgerond !

size (LxWxT): 150 x 52 x ? mm

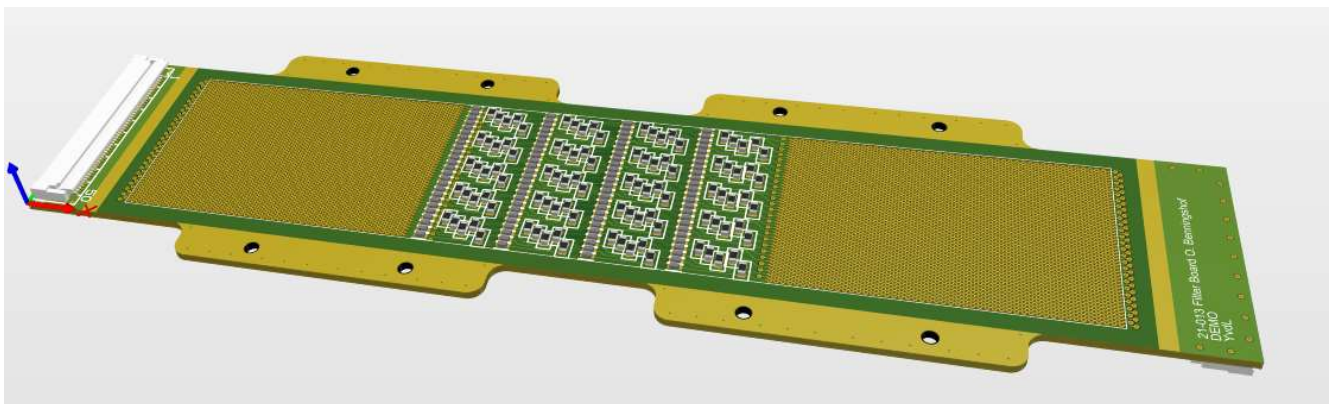
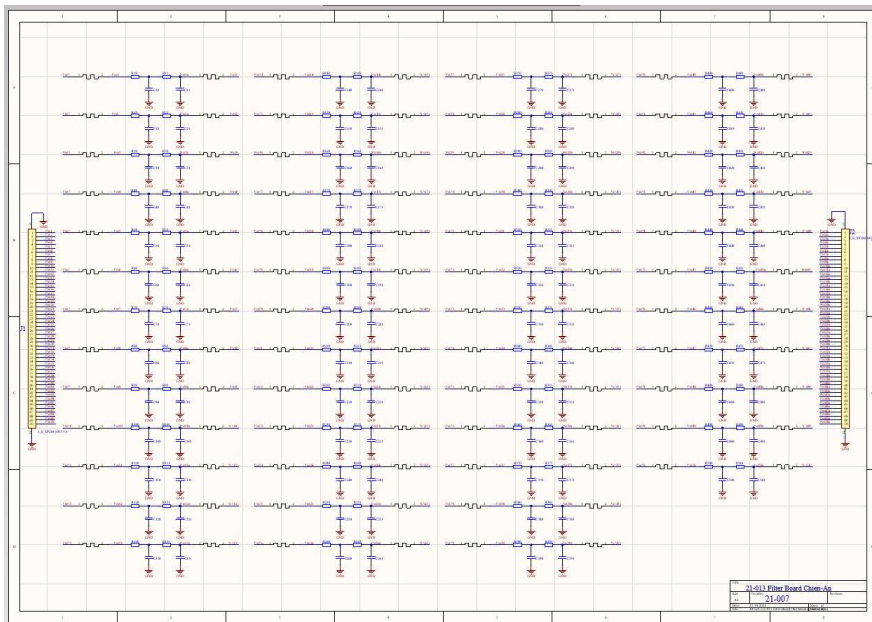
sample hole: 8 x 8 mm



21-013 Filter Board Olaf Benningshof

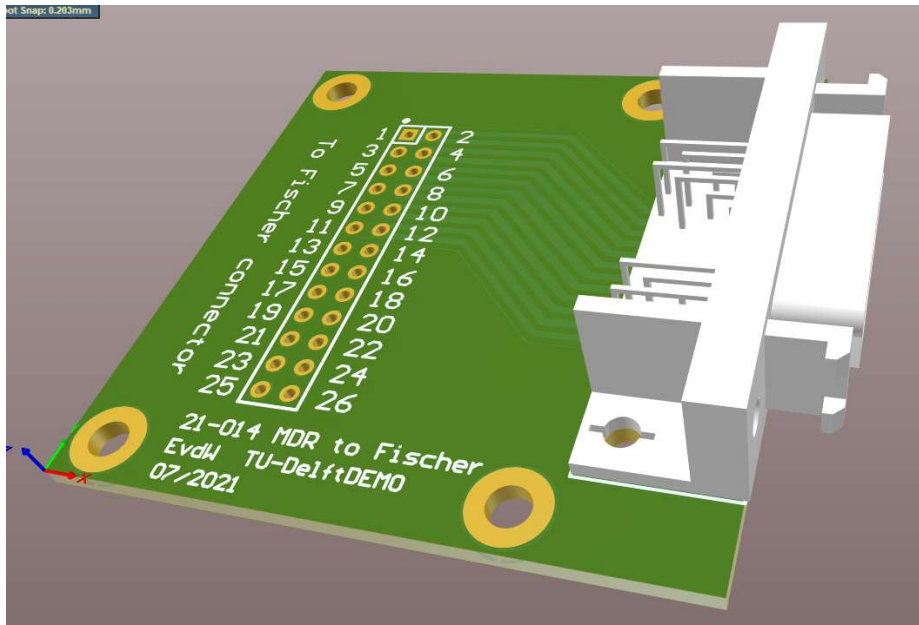
Filterboard (PI / Copper Powder)

size (LxWxT): 146 x 40 x ? mm



21-014 Fisher to 3M MDR120 26polig

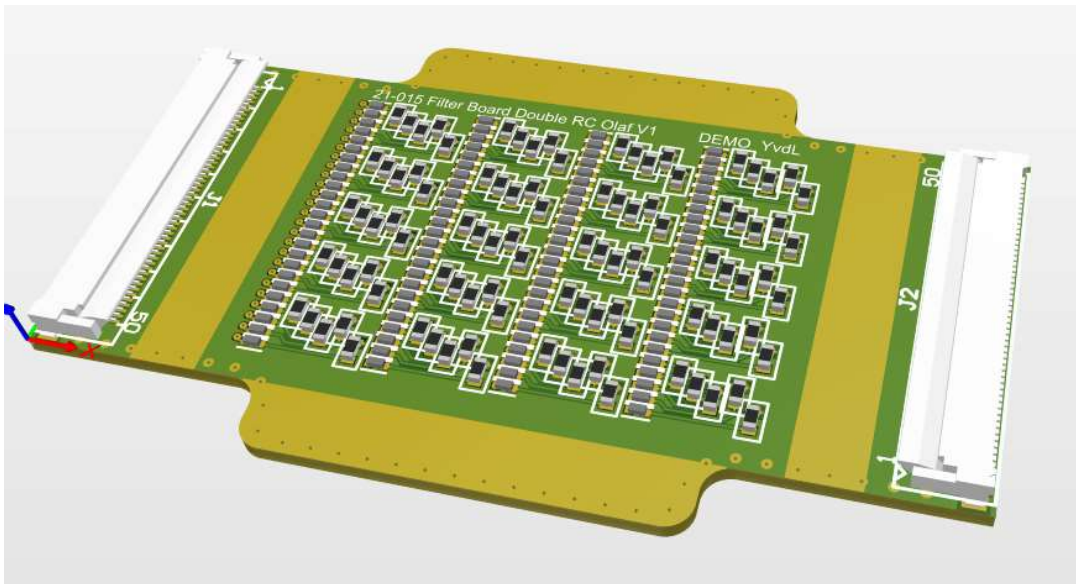
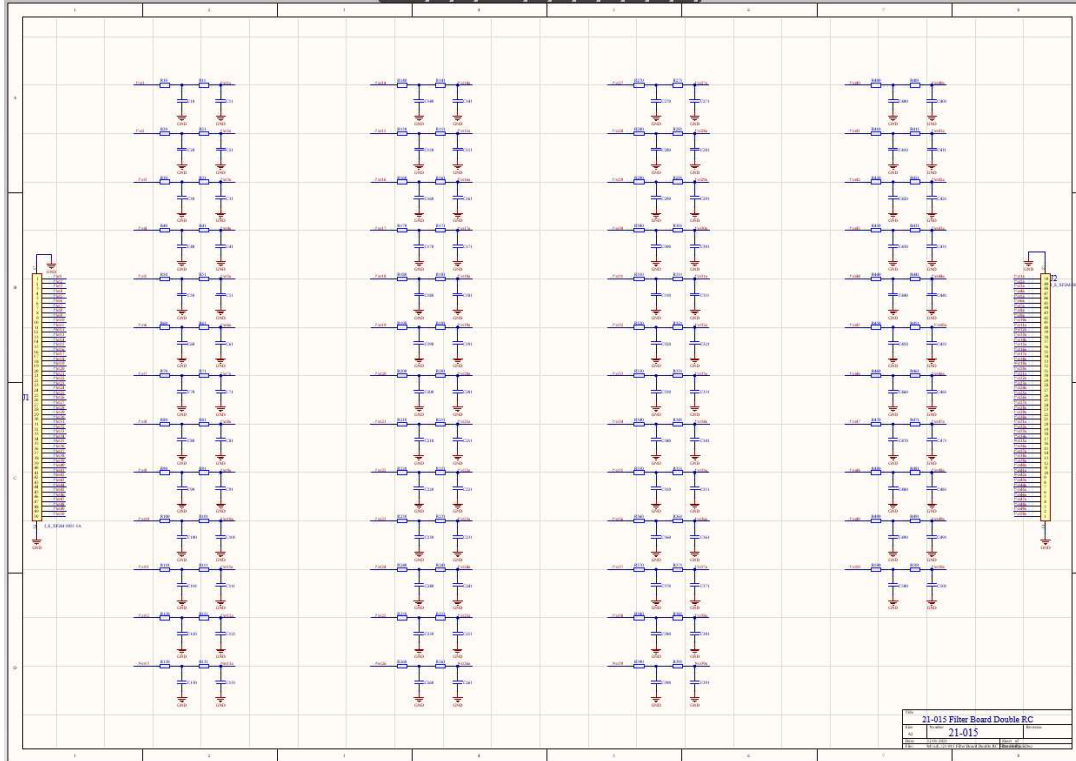
Michael Borst



21-015 Filter Board Double RC Olaf

Filter Board

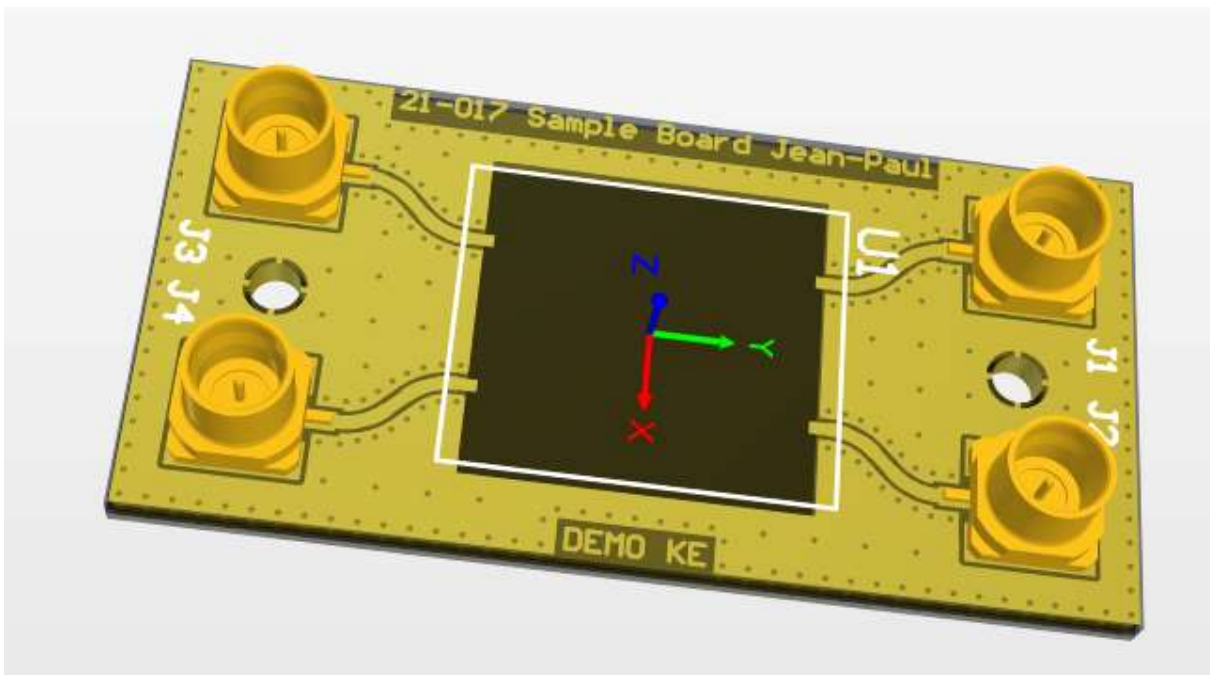
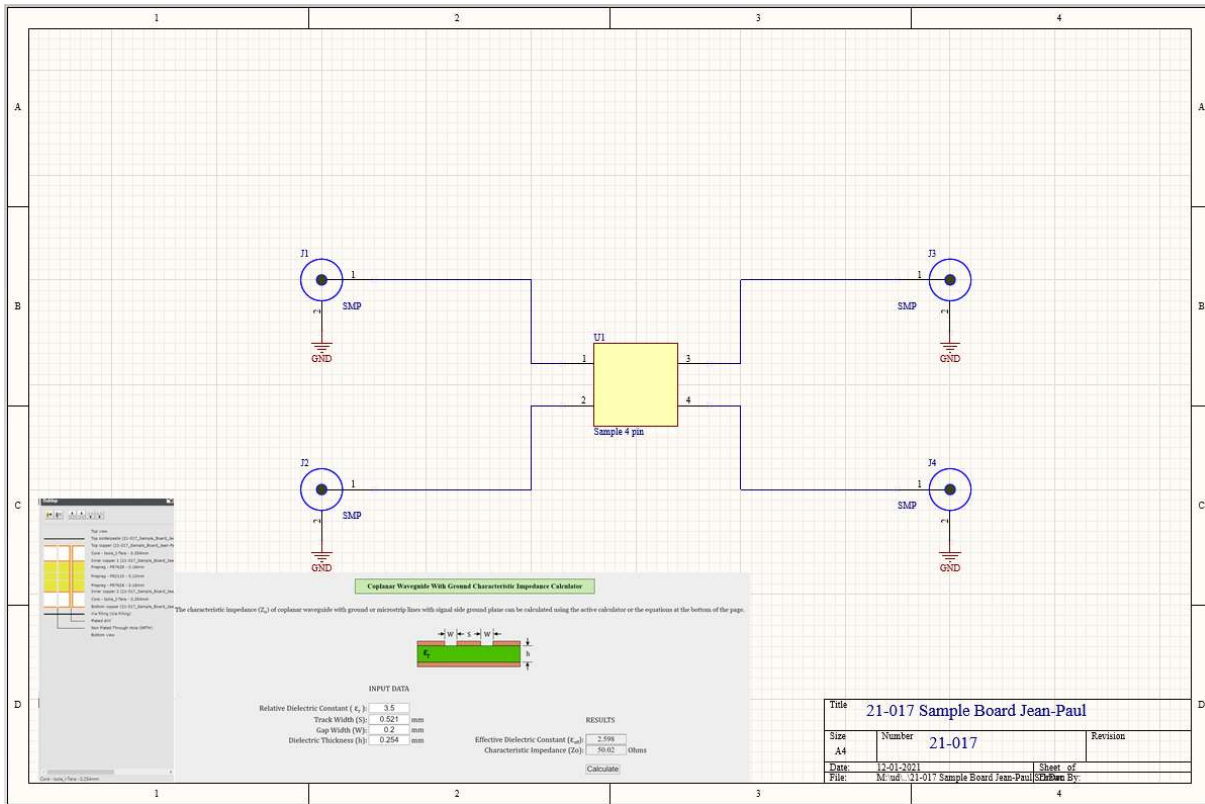
size (LxWxT): 67 x 40 x ? mm



21-017 Sample Board Jean-Paul

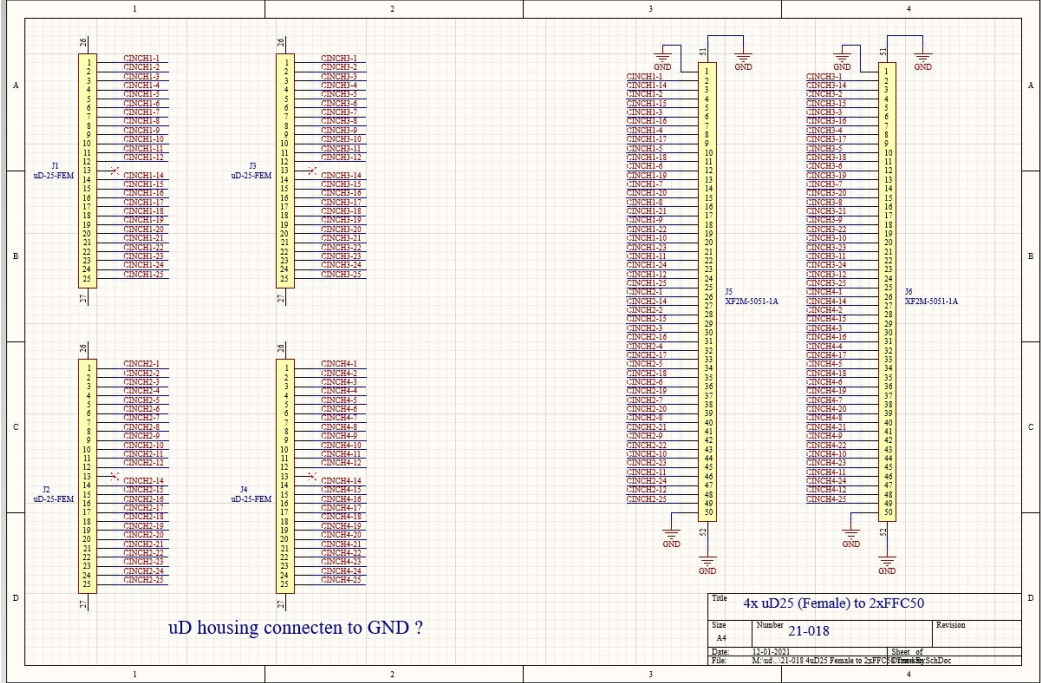
Sample board

size (LxWxT): 40 x 20 x ? mm

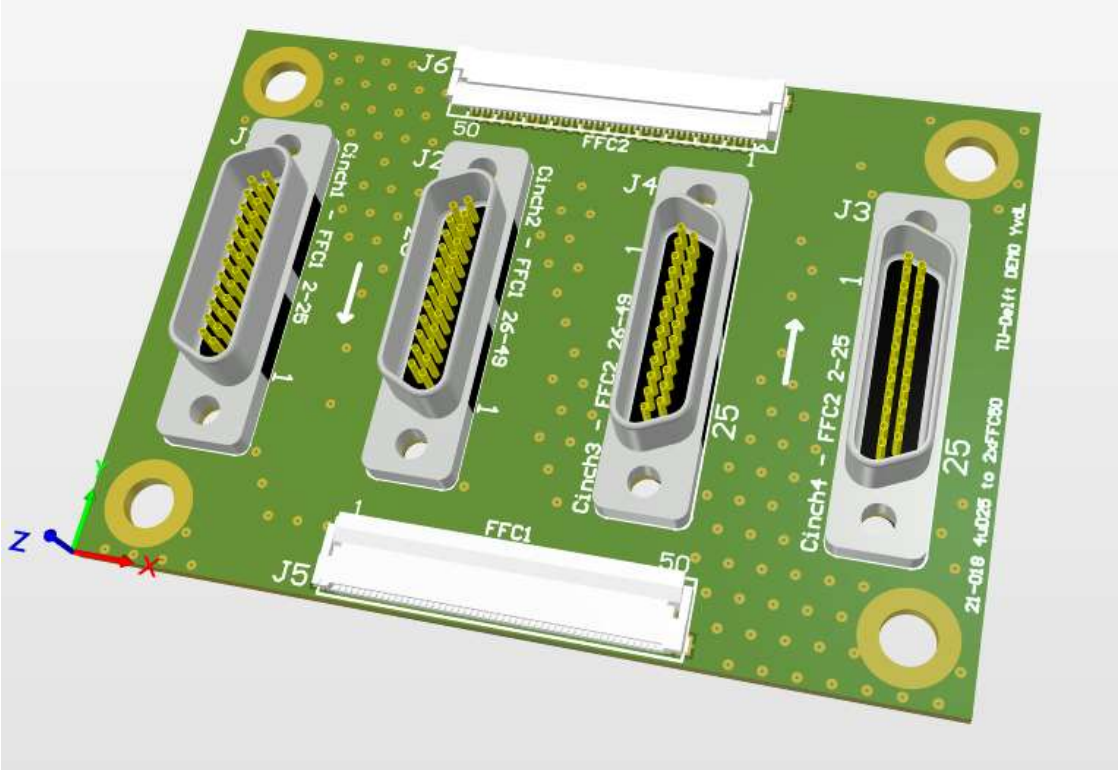


21-018 4uD25 Female to 2xFFC50 Tzu-kan

Breakout / interface board
 size (LxWxT): 100 x 60 x ? mm

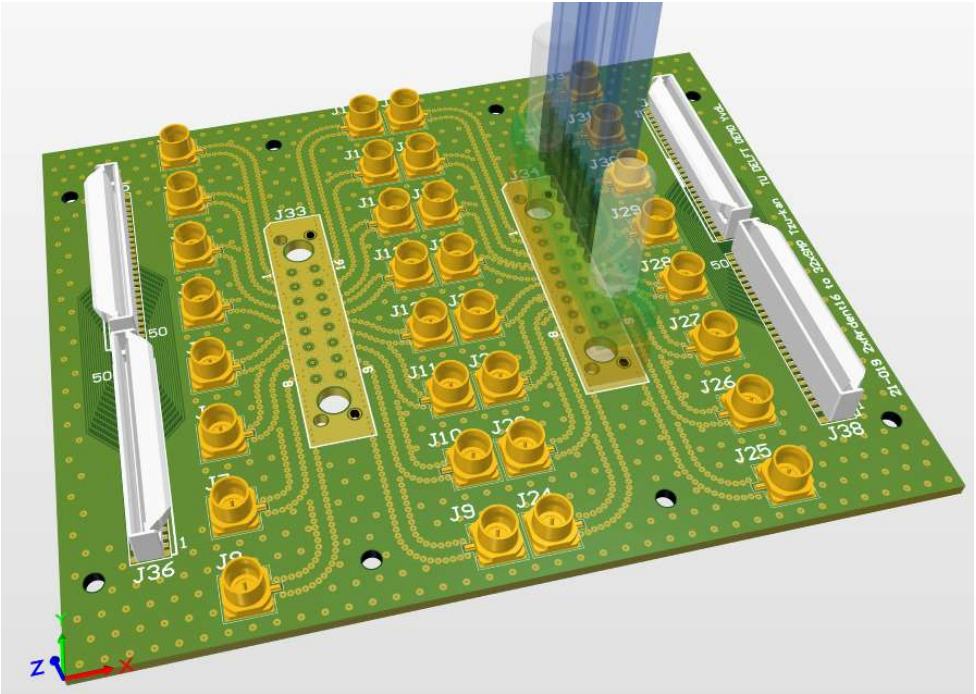
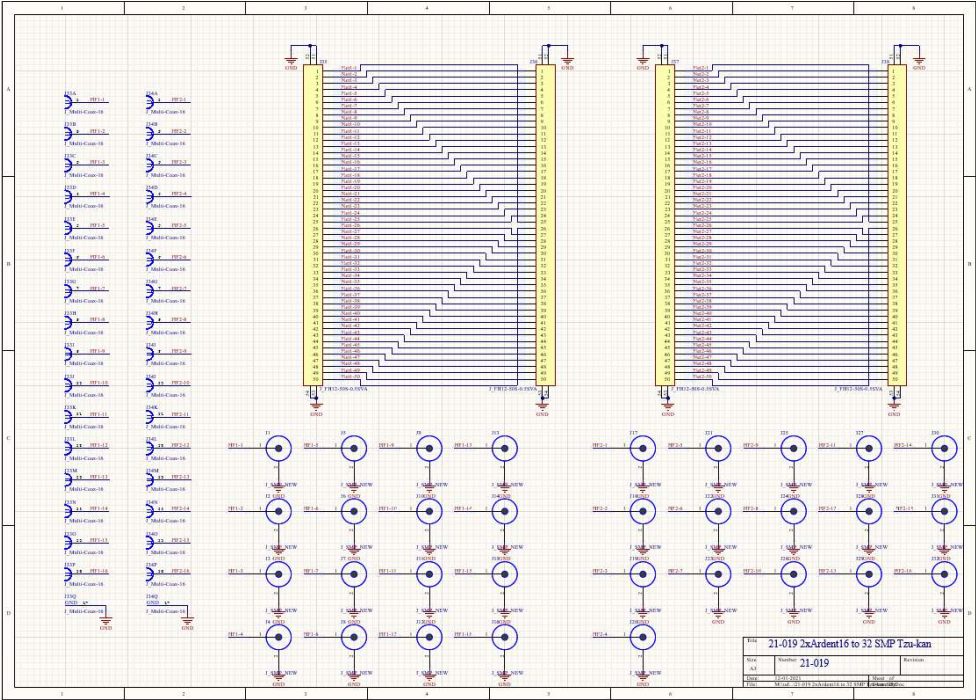


uD housing connecten to GND ?



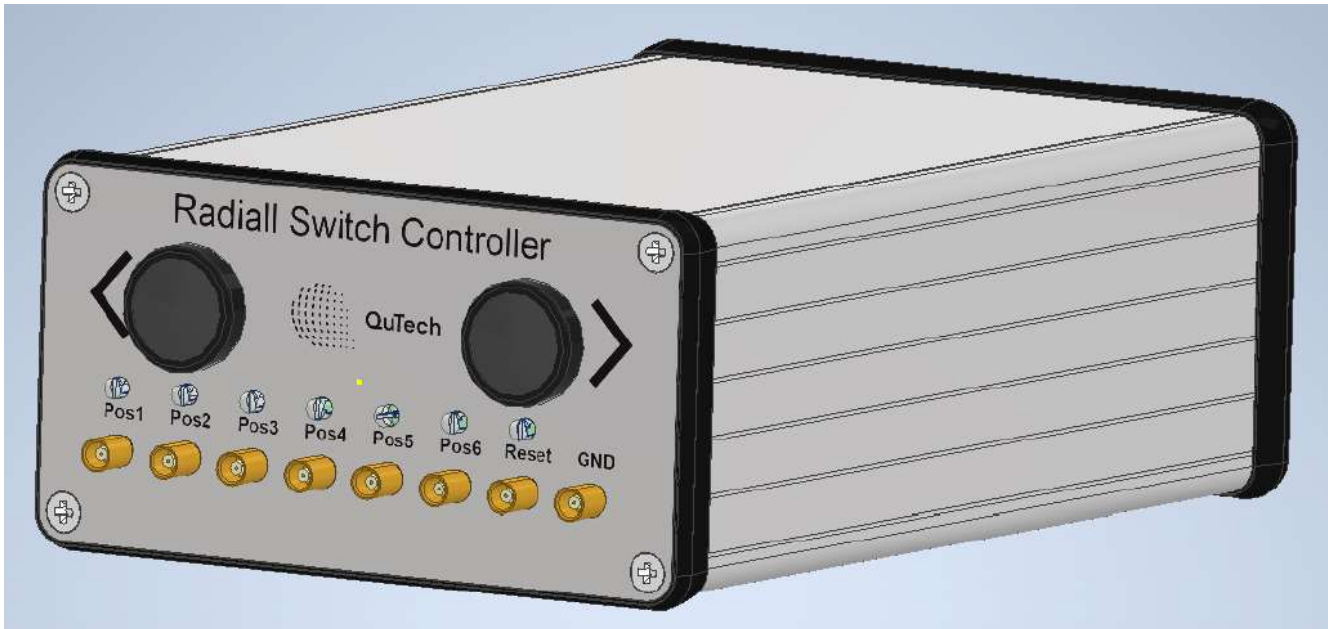
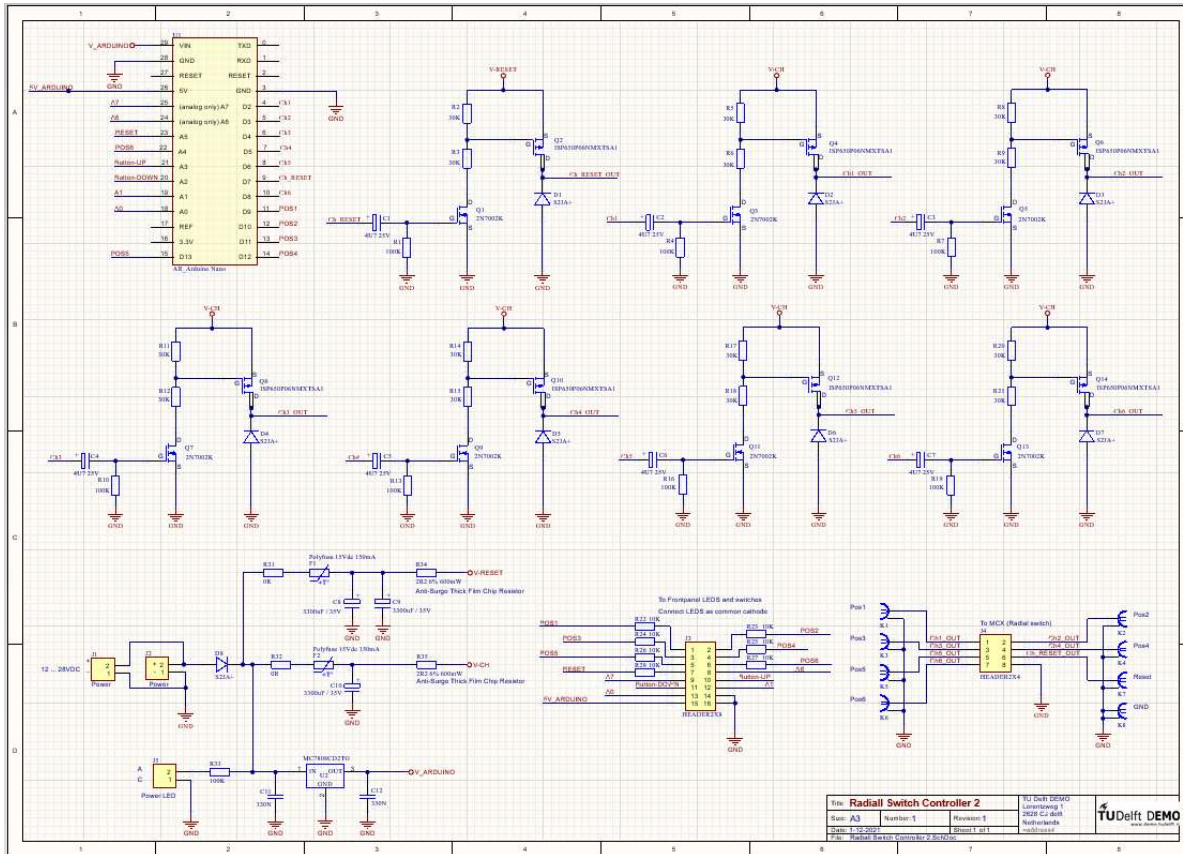
21-019 2xArdent16 to 32 SMP Tzu-kan

Breakout / interface board
size (LxWxT): 98 x 80 x ? mm



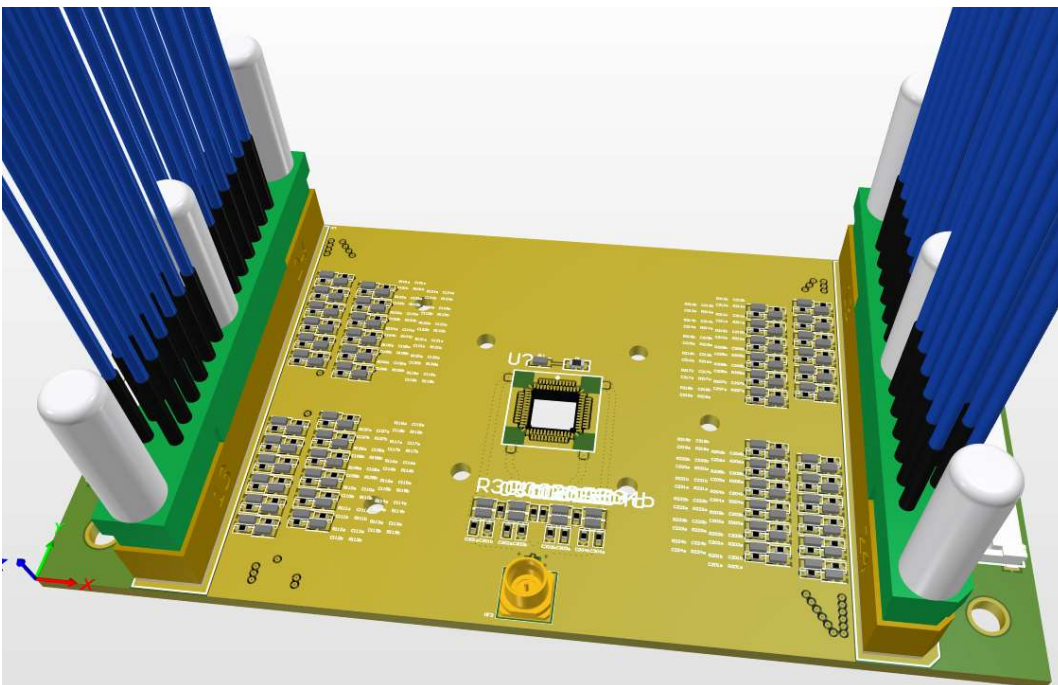
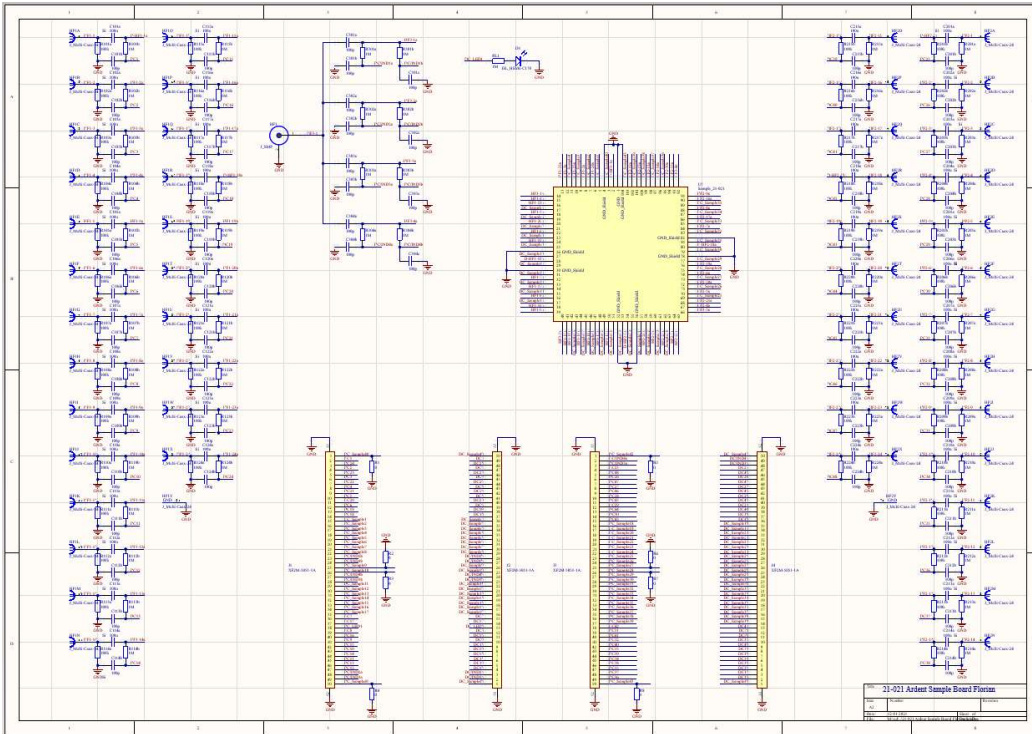
21-020 Radial Switch Controller 2

James Kroll



21-021 Ardent Sample Board Florian (nog niet af)

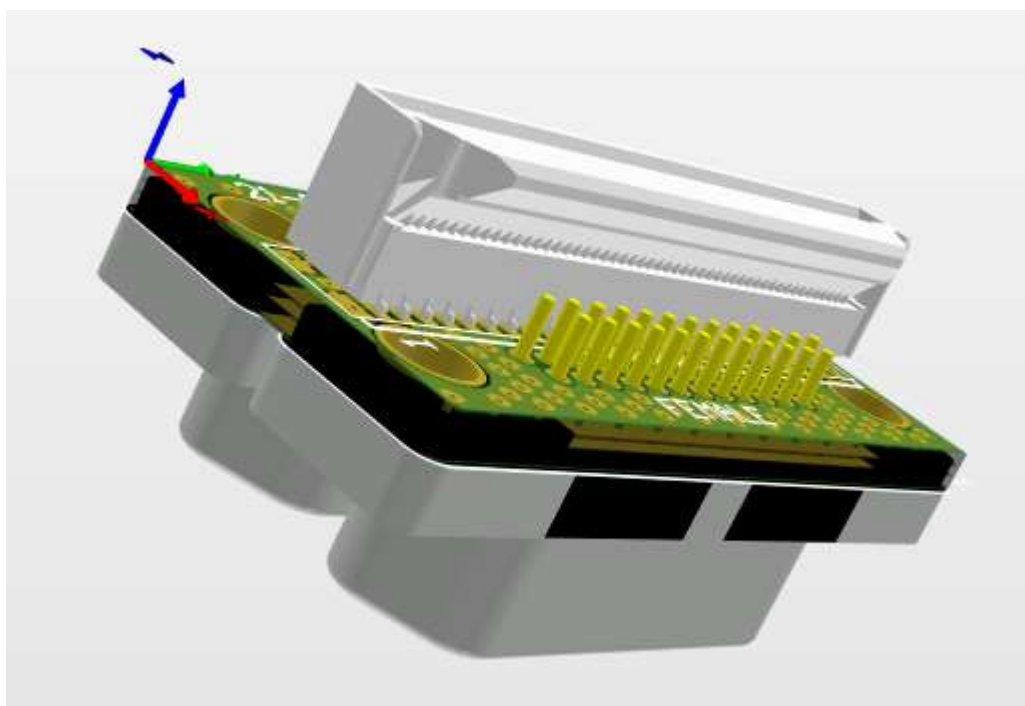
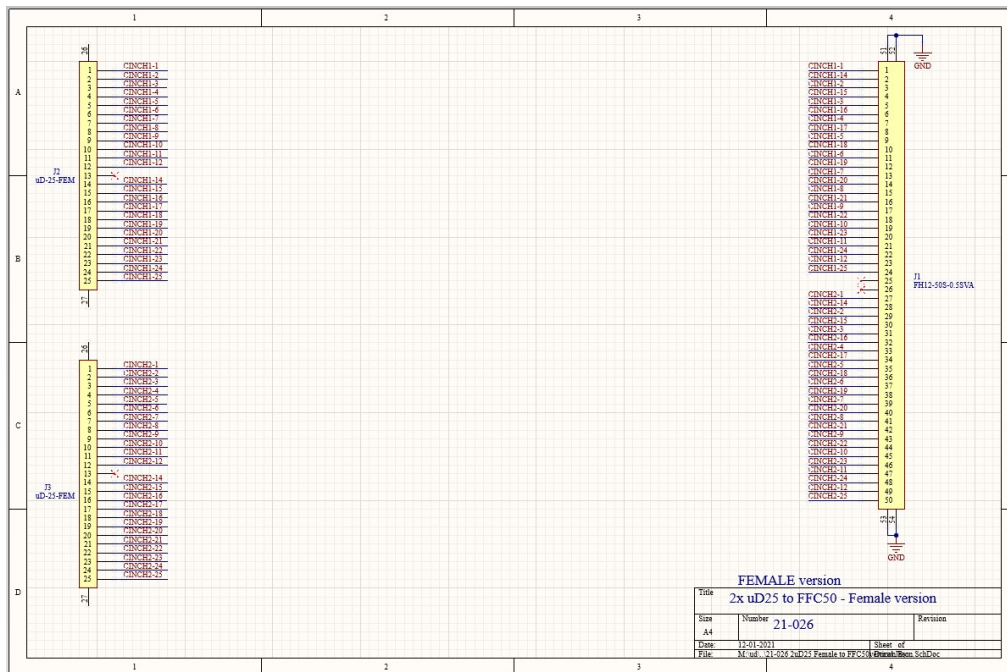
Ardent based Sample Board
size (LxWxT): 100 x 52 x ? mm



21-026 2uD25 Female to FFC50vertical Jason

Interface board (Red coloured soldermask)

size (LxWxT): 29 x 15 x ? mm



21-027 Filterboard Florian

100 Channel Filter board
 size (LxWxT): 144 x 96 x ? mm

